

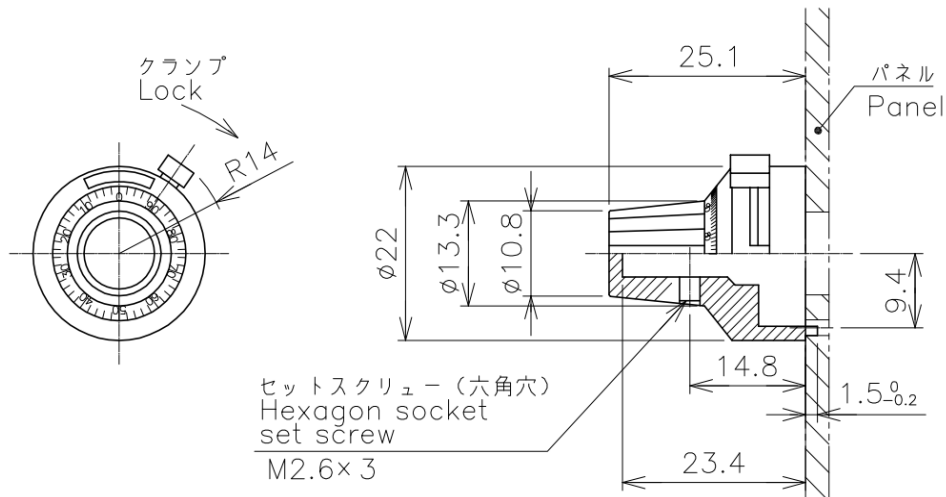
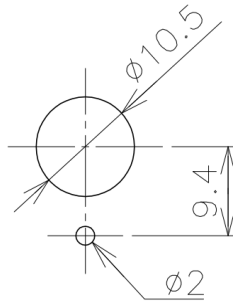
Multi-turn Dial

Dial D-12

· Multi-turn analog dial

【Material】

· Housing : Zinc, Aluminum, Copper alloy, POM

■ Dimension [mm]**■ Mounting**

· Applicable Plate Thickness: 1.6~3mm

【Specifications】

| | | |
|----------------------------|------------|-------|
| Number Of Turns | 0~10 | Turns |
| Minor Scale Division | 1/500 | |
| Mass | 20 Approx. | g |
| Applicable Pot. | HP-18 | |
| Applicable Plate Thickness | 1.6~3 | mm |

■ Handling Instruction

This dial is designed for being mounted on potentiometer only and then being rotated by hand.
Please do not rotate dial at high speed by using motors.